



LET THERE
BE LIGHT
EVERYWHERE.

Q-Flow™ Mobile

Award winning surgical light Q-Flow™
comes now with even greater range
of possibilities

Superior lighting where you need it

Q-Flow™ Mobile is the advanced mobile light available for any surgical team. Its award winning groundbreaking features are now available exactly when and where you need them.

Q-Flow™ Mobile is an intelligent and easily maneuverable solution for any operating room. Integrated battery and functional design provide outstanding flexibility. Q-Flow™ Mobile has excellent illumination properties with a deep column of light and its easy-to-use intuitive user interface gives you total control for its all features.

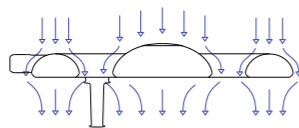
This is Q-Flow™ Mobile:

- Carries all Q-Flow™ LCH lamp heads.
- Easily maneuverable.
- Stable construction.
- Streamlined low profile and splashproof base.
- Up to 3 hour autonomy with internal battery.

Intuitive Sterile Surgeon Control (Intueri™)



Optimised air flow design - Q-Flow™

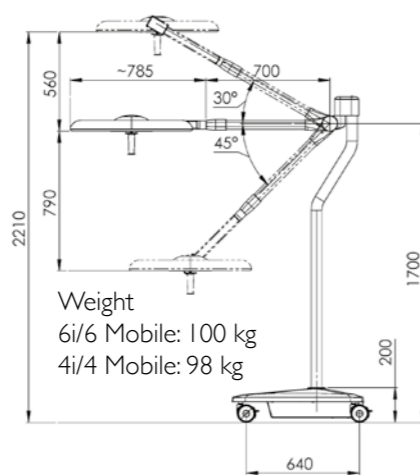


Dynamic Obstacle Compensation (DOC™)

Merivaara's controlled Dynamic Obstacle Compensation (DOC™) in i-models provides perfect light for any circumstance even if the light beam is masked. The intensity of the remaining beams will increase and the light in the operating area is compensated in order to maintain the ideal illuminance to the surgical site.



Measurements





LET THERE BE LIGHT EVERYWHERE.

Red Dot Design Award

Q-Flow™ has won highly acclaimed international design award Red Dot and also Finland's most appreciated design award Fennia Prize in 2017.



FENNIAPRIZE 17

GRAND PRIX



Merivaara Corp.
Puustellintie 2,
FI-15150 Lahti, FINLAND
Tel. +358 3 3394 611
fax +358 3 3394 6144
merivaara@merivaara.com

www.merivaara.com



The status of the information, specifications and illustrations in this publication is indicated by the date of publication. Whilst the greatest care has been taken over its compilation, Merivaara Corp. is not responsible for any errors or omissions. Merivaara Corp. reserves the right to make changes to the technology, features, specifications and design of the equipment and models without notice. Please check the Merivaara website for the latest updated specifications and other information.

All trademarks are the property of Merivaara unless otherwise stated. Patents granted or pending.

© Merivaara Corp. DOC ID: 6124EN-I. Date 01/2018